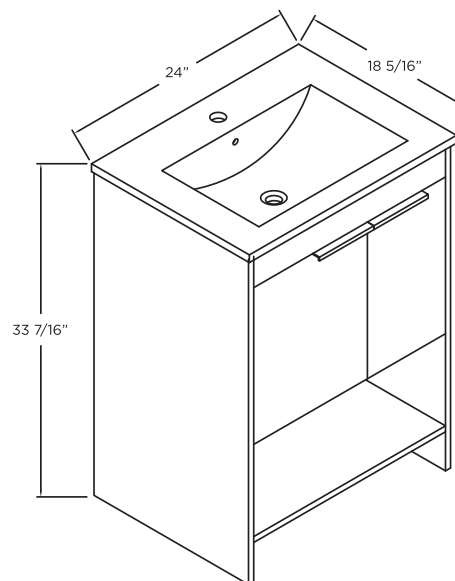
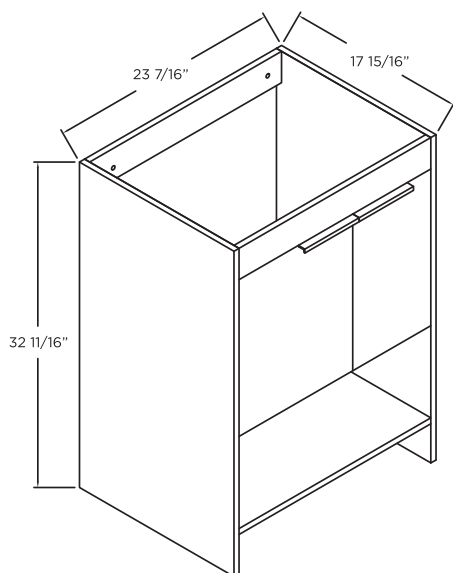
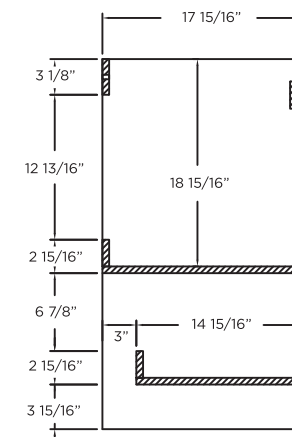
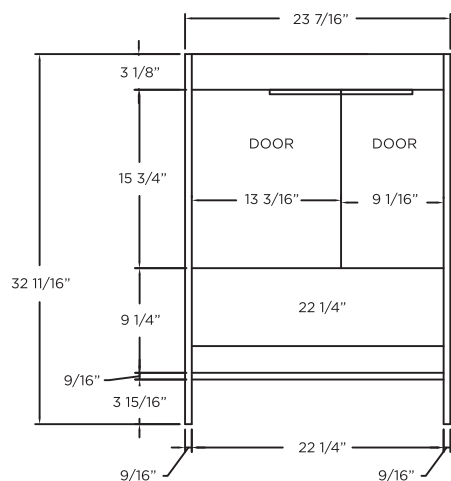


**SPECIFICATIONS / TECHNICAL DATA**

# PHOENIX

## VANITY COLLECTION

**24"**



*ATTENTION! Dimensions may vary by up to 3/8". It is highly recommended to pull all dimensions of actual model for installation and measuring purposes.*

**MODEL# PH24**